

Planetary Gearboxes PM Series

PM52

This is a group of planetary gearbox or planetary gearhead of PJ series, precision series.

Its diameter is $\varnothing 52$ mm. It has 5 stages, 5 length, and 125 models for your selection.

It is for DC, step or servo motor that the power is 100-200 W. The continuous output torque is 1.5-30 Nm.



Table 1: Features

Stages	Length (mm / in.)	Efficiency (%)	Weight (g / oz)
1	43.9 / 1.73	90	475 / 12.56
2	56.4 / 2.22	80	575 / 15.20
3	68.9 / 2.71	73	675 / 17.84
4	77.4 / 3.05	66	775 / 20.48
5	81.9 / 3.22	59	875 / 23.13

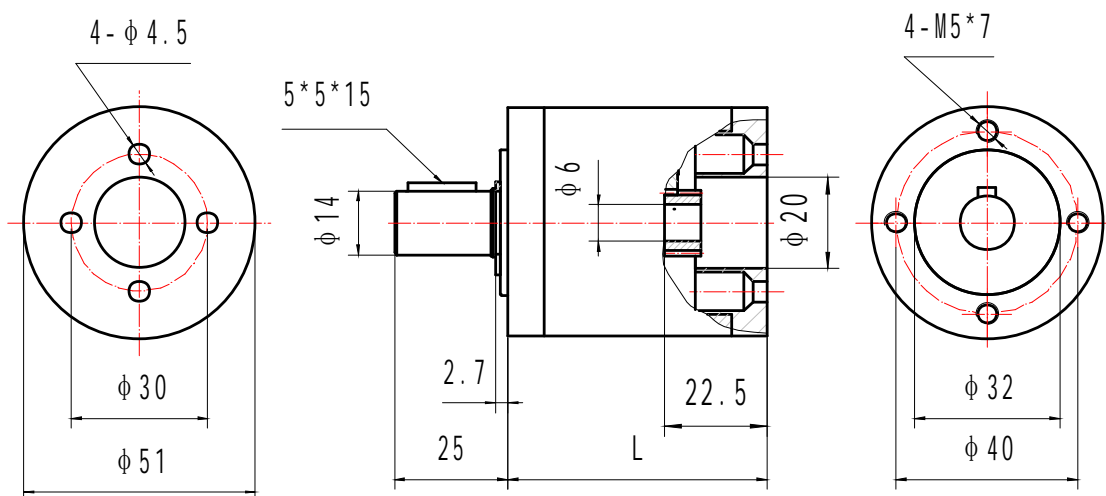


Table 2: Material and load

Items	Description
Shell Material	Carbon steel
Gear Materiel	First stage plastic, rest steel, hard gear surface
Output Shaft Materiel	Carbon steel
Flange Materiel	Aluminum
Bearing on Output End	Rolling bearing
Max. Input Speed	3,500 rpm
Max. Radial Load	1000 N
Max. Axial Load	500 N
Max. Install Force	1200 N
Radial Clearance	0.03 mm
Axial Clearance	0.03 mm
Operating Temperature	-10 to 85 , (14, to 185°F)

Table 3: Ratio and output torque

Model #	Ratio	Output Torque (Nm)		Stages
		Continuous	Intermittent	
1352002	3.56	1.5	2	1
1352003	4.00			
1352004	5.60			
1352005	6.75			
1352009	12.64	8	10	2
1352010	14.22			
1352011	16.00			
1352013	19.91			
1352015	22.40			
1352016	24.00	8	10	2
1352017	27.00			
1352018	31.36			
1352019	37.80			
1352020	45.56			
1352026	44.95	15	18	3
1352028	50.57			
1352030	56.89			
1352032	64.00			
1352035	70.80			

(Continued from Table 3: Ratio and output torque)

Model #	Ratio	Output Torque (Nm)		Stages
		Continuous	Intermittent	
1352037	79.64	15	18	3
1352039	85.33			
1352040	89.60			
1352041	96.00			
1352043	108.00			
1352044	111.50	15	18	3
1352046	125.44			
1352047	134.40			
1352049	151.20			
1352050	162.00			
1352051	175.62	15	18	3
1352052	182.25			
1352053	211.68			
135205	255.15			
1352055	307.55			
1352064	159.82	30	40	4
1352067	179.80			
1352071	202.27			
1352074	227.56			
1352077	251.72			
1352078	256.00	30	40	4
1352082	283.18			
1352085	303.41			
1352086	318.58			
1352088	341.33			
1352090	358.40	30	40	4
1352092	384.00			
1352094	396.45			
1352096	432.00			
1352098	446.01			
1352100	477.87	30	40	4
1352102	501.76			
1352103	537.60			
1352106	576.00			
1352107	604.80			
1352108	624.41	30	40	4
1352109	648.00			
1352111	702.46			
1352112	729.00			
1352113	752.64			

(Continued from Table 3: Ratio and output torque)

Model #	Ratio	Output Torque (Nm)		Stages
		Continuous	Intermittent	
1352115	846.72	30	40	4
1352116	907.20			
1352118	983.45			
1352119	1020.60			
1352120	1093.50			
1352121	1185.41	30	40	4
1352122	1230.19			
1352123	1428.84			
1352124	1722.26			
1352125	2075.94	10	12	
1352138	568.25	30	60	5
1352143	639.28			
1352148	719.19			
1352153	809.09			
1352157	894.99			
1352158	910.22	30	60	5
1352163	1006.86			
1352164	1024.00			
1352168	1078.78			
1352171	1132.72			
1352174	1213.63	30	60	5
1352176	1274.31			
1352180	1365.33			
1352182	1409.61			
1352183	1433.60			
1352186	1536.00	30	60	5
1352189	1585.81			
1352192	1699.08			
1352193	1728.00			
1352196	1784.04			
1352198	1911.47	30	60	5
1352201	2007.04			
1352203	2048.00			
1352204	2150.40			
1352206	2220.13			
1352208	2304.00	30	60	5
1352210	2419.20			
1352212	2497.65			
1352213	2592.00			
1352215	2676.05			

(Continued from Table 3: Ratio and output torque)

Model #	Ratio	Output Torque (Nm)		Stages
		Continuous	Intermittent	
1352217	2809.86	30	60	5
1352218	2916.00			
1352220	3010.56			
1352223	3225.60			
1352225	3386.88			
1352226	3496.71	30	60	5
1352227	3628.80			
1352230	3888.00			
1352231	3933.80			
1352232	4082.40			
1352233	4214.78	30	60	5
1352234	4374.00			
1352236	4741.63			
1352237	4920.75			
1352238	5080.32			
1352240	5507.32	30	60	5
1352241	5715.36			
1352242	6123.60			
1352244	6638.28			
1352245	6889.05			
1352246	7381.13	30	60	5
1352247	8001.50			
1352248	8303.77			
1352249	9644.67			
1352250	11625.27			
1352251	14012.60	10	12	5

For more information about our planetary gearboxes in PJ series, PH series and PM series, please visit our website www.broadwaygear.com. Thanks!