

Planetary Gearboxes PM Series

PM36

This is a group of planetary gearbox or planetary gearhead of PJ series, precision series.

Its diameter is $\varnothing 36$ mm. It has 5 stages, 5 length, and 125 models for your selection.

It is for DC, step or servo motor that the power is 15-60 W. The continuous output torque is 0.3-15 Nm.



Table 1: Features

| Stages | Length (mm / in.) | Efficiency (%) | Weight (g / oz) |
|--------|-------------------|----------------|-----------------|
| 1 | 34.1 / 1.34 | 90 | 210 / 5.55 |
| 2 | 45.6 / 1.80 | 83 | 245 / 6.48 |
| 3 | 52.4 / 2.06 | 77 | 280 / 7.40 |
| 4 | 59.9 / 2.36 | 72 | 315 / 8.33 |
| 5 | 66.0 / 2.60 | 67 | 350 / 9.25 |

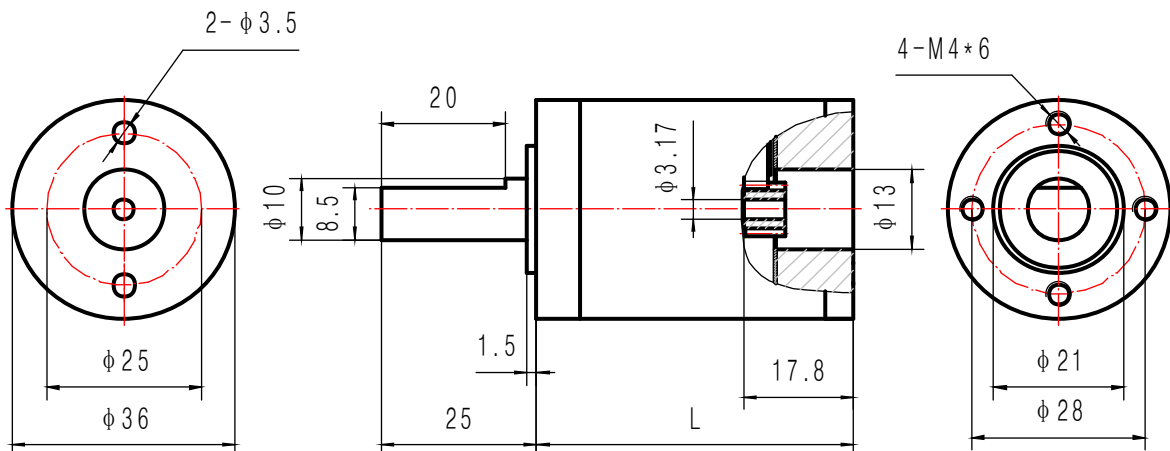


Table 2: Material and load

| Items | Description |
|-----------------------|--|
| Shell Material | Carbon steel |
| Gear Materiel | First stage plastic, rest steel, hard gear surface |
| Output Shaft Materiel | Carbon steel |
| Flange Materiel | Aluminum |
| Bearing on Output End | Rolling bearing |
| Max. Input Speed | 6,000 rpm |
| Max. Radial Load | 200 N |
| Max. Axial Load | 100 N |
| Max. Install Force | 220 N |
| Radial Clearance | 0.04 mm |
| Axial Clearance | 0.03 mm |
| Operating Temperature | -10 to 85 , (14, to 185°F) |

Table 3: Ratio and output torque

| Model # | Ratio | Output Torque (Nm) | | Stages |
|---------|-------|--------------------|--------------|--------|
| | | Continuous | Intermittent | |
| 1336001 | 3.5 | 0.3 | 0.5 | 1 |
| 1336002 | 4 | | | |
| 1336003 | 4.75 | | | |
| 1336004 | 6 | | | |
| 1336005 | 12.25 | 1 | 1.5 | 2 |
| 1336006 | 14 | | | |
| 1336007 | 16 | | | |
| 1336008 | 16.63 | | | |
| 1336009 | 19 | | | |
| 1336010 | 21 | 1 | 1.5 | 2 |
| 1336011 | 22.56 | | | |
| 1336012 | 24 | | | |
| 1336013 | 28.5 | | | |
| 1336014 | 36 | | | |
| 1336015 | 42.88 | 6 | 8 | 3 |
| 1336016 | 49 | | | |
| 1336017 | 56 | | | |
| 1336018 | 58.19 | | | |
| 1336019 | 64 | | | |

(Continued from Table 3: Ratio and output torque)

| Model # | Ratio | Output Torque (Nm) | | Stages |
|---------|--------|--------------------|--------------|--------|
| | | Continuous | Intermittent | |
| 1336020 | 66.5 | 6 | 8 | 3 |
| 1336021 | 73.5 | | | |
| 1336022 | 76 | | | |
| 1336023 | 78.97 | | | |
| 1336024 | 84 | | | |
| 1336025 | 90.25 | 6 | 8 | 3 |
| 1336026 | 96 | | | |
| 1336027 | 99.75 | | | |
| 1336028 | 107.17 | | | |
| 1336029 | 114 | | | |
| 1336030 | 126 | 6 | 8 | 3 |
| 1336031 | 135.38 | | | |
| 1336032 | 144 | | | |
| 1336033 | 171 | | | |
| 1336034 | 216 | | | |
| 1336035 | 150.06 | 12 | 15 | 4 |
| 1336036 | 171.5 | | | |
| 1336037 | 196 | | | |
| 1336038 | 203.66 | | | |
| 1336039 | 224 | | | |
| 1336040 | 232.75 | 12 | 15 | 4 |
| 1336041 | 256 | | | |
| 1336042 | 257.25 | | | |
| 1336043 | 266 | | | |
| 1336044 | 276.39 | | | |
| 1336045 | 294 | 12 | 15 | 4 |
| 1336046 | 304 | | | |
| 1336047 | 315.88 | | | |
| 1336048 | 336 | | | |
| 1336049 | 349.13 | | | |
| 1336050 | 361 | 12 | 15 | 4 |
| 1336051 | 375.1 | | | |
| 1336052 | 384 | | | |
| 1336053 | 399 | | | |
| 1336054 | 428.69 | | | |
| 1336055 | 441 | 12 | 15 | 4 |
| 1336056 | 456 | | | |
| 1336057 | 473.81 | | | |
| 1336058 | 504 | | | |
| 1336059 | 509.07 | | | |

(Continued from Table 3: Ratio and output torque)

| Model # | Ratio | Output Torque (Nm) | | Stages |
|---------|---------|--------------------|--------------|--------|
| | | Continuous | Intermittent | |
| 1336060 | 541.5 | 15 | 25 | 4 |
| 1336061 | 576 | | | |
| 1336062 | 598.5 | | | |
| 1336063 | 643.03 | 8 | 12 | |
| 1336064 | 684 | 15 | 25 | 4 |
| 1336065 | 756 | 15 | 25 | |
| 1336066 | 812.25 | 8 | 12 | |
| 1336067 | 864 | | | |
| 1336068 | 1026 | | | |
| 1336069 | 1296 | 6 | 8 | |
| 1336070 | 525.22 | 15 | 25.5 | 5 |
| 1336071 | 600.25 | | | |
| 1336072 | 686 | | | |
| 1336073 | 712.8 | | | |
| 1336074 | 784 | | | |
| 1336075 | 814.63 | 15 | 25.5 | 5 |
| 1336076 | 896 | | | |
| 1336077 | 900.38 | | | |
| 1336078 | 931 | | | |
| 1336079 | 967.37 | | | |
| 1336080 | 1024 | 15 | 25.5 | 5 |
| 1336081 | 1029 | | | |
| 1336082 | 1064 | | | |
| 1336083 | 1105.56 | | | |
| 1336084 | 1176 | | | |
| 1336085 | 1216 | 15 | 25.5 | 5 |
| 1336086 | 1221.94 | | | |
| 1336087 | 1263.5 | | | |
| 1336088 | 1312.86 | | | |
| 1336089 | 1344 | | | |
| 1336090 | 1396.5 | 15 | 25.5 | 5 |
| 1336091 | 1444 | | | |
| 1336092 | 1500.41 | | | |
| 1336093 | 1536 | | | |
| 1336094 | 1543.5 | | | |
| 1336095 | 1596 | 15 | 25.5 | 5 |
| 1336096 | 1658.34 | | | |
| 1336097 | 1714.75 | | | |
| 1336098 | 1764 | | | |
| 1336099 | 1781.73 | | | |

(Continued from Table 3: Ratio and output torque)

| Model # | Ratio | Output Torque (Nm) | | Stages |
|---------|---------|--------------------|--------------|--------|
| | | Continuous | Intermittent | |
| 1336100 | 1824 | 15 | 25.5 | 5 |
| 1336101 | 1895.25 | | | |
| 1336102 | 2016 | | | |
| 1336103 | 2036.27 | | | |
| 1336104 | 2094.75 | | | |
| 1336105 | 2166 | 15 | 25.5 | 5 |
| 1336106 | 2250.61 | | | |
| 1336107 | 2304 | | | |
| 1336108 | 2394 | | | |
| 1336109 | 2418.07 | 8 | 12 | 5 |
| 1336110 | 2572.13 | 15 | 25.5 | |
| 1336111 | 2646 | | | |
| 1336112 | 2736 | | | |
| 1336113 | 2842.88 | | | |
| 1336114 | 3024 | 8 | 12 | |
| 1336115 | 3054.4 | | | |
| 1336116 | 3249 | | | |
| 1336117 | 3456 | | | |
| 1336118 | 3591 | | | |
| 1336119 | 3858.19 | 8 | 12 | 5 |
| 1336120 | 4104 | 15 | 25.5 | |
| 1336121 | 4536 | 8 | 12 | |
| 1336122 | 4873.5 | | | |
| 1336123 | 5184 | 8 | 12 | |
| 1336124 | 6156 | | | |
| 1336125 | 7776 | 6 | 9 | 5 |

The output shaft length of motor in blue model number depends on the diameter of the output shaft. Please notice us when you put purchase order.

For more information about our planetary gearboxes in PJ series, PH series and PM series, please visit our website www.broadwaygear.com. Thanks!