

Planetary Gearboxes PM Series

PM22

This is a group of planetary gearbox or planetary gearhead of PJ series, precision series.

Its diameter is $\varnothing 22$ mm. It has 5 stages, 5 length, and 20 models for your selection.

It is for DC, step or servo motor that the power is less than 5 W. The continuous output torque is 0.15-0.85 Nm.



Table 1: Features

Stages	Length (mm / in.)	Efficiency (%)	Weight (g / oz)
1	20.3 / 0.80	90	35 / 0.93
2	24.1 / 0.95	81	43 / 1.14
3	27.9 / 1.10	73	51 / 1.35
4	33.7 / 1.33	65	59 / 1.56
5	37.5 / 1.48	59	67 / 1.77

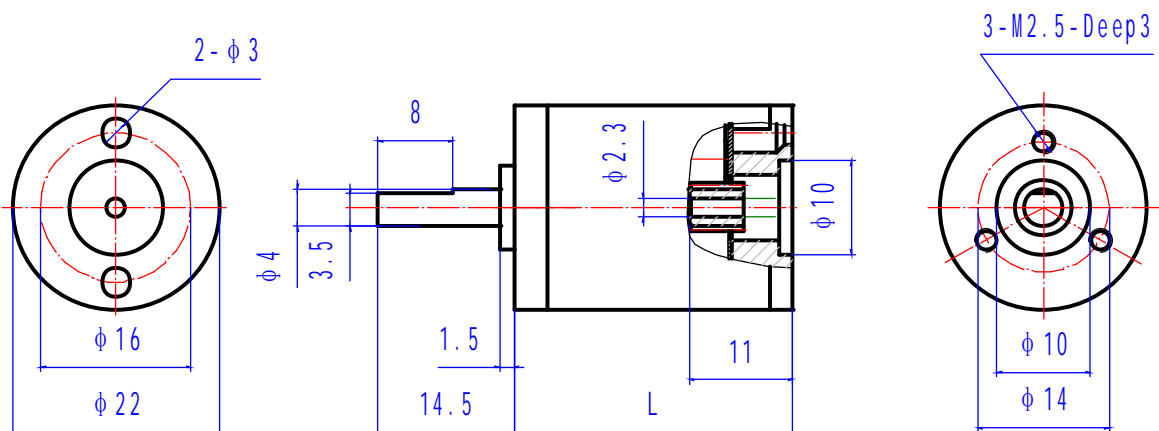


Table 2: Material and load

Items	Description
Shell Material	Carbon steel
Gear Materiel	First stage plastic, rest steel, hard gear surface
Output Shaft Materiel	Carbon steel
Flange Materiel	Aluminum
Bearing on Output End	Rolling bearing
Max. Input Speed	6,000 rpm
Max. Radial Load	8 N
Max. Axial Load	8 N
Max. Install Force	100 N
Radial Clearance	0.04 mm
Axial Clearance	0.04 mm
Operating Temperature	-10 to 85 , (14, to 185°F)

Table 3: Ratio and output torque

Model #	Ratio	Output Torque (Nm)		Stages
		Continuous	Intermittent	
1322001	3.57	0.15	0.2	1
1322003	4.60			
1322005	12.75	0.25	0.35	2
1322008	16.42			
1322011	21.16			
1322015	45.52	0.5	0.75	3
1322018	58.63			
1322023	75.54			
1322028	97.34			
1322035	162.50	0.85	1.36	4
1322038	209.30			
1322044	269.68			
1322051	347.49			
1322059	447.75			
1322070	580.12	0.85	1.5	5
1322073	747.19			
1322079	962.77			
1322088	1240.54	0.85	1.5	5
1322099	1598.45			
1322109	2059.63			

For more information about our planetary gearboxes in PJ series, PH series and PM series, please visit our website www.broadwaygear.com. Thanks!