

Planetary Gearboxes PM Series

PM12

This is a group of planetary gearbox or planetary gearhead of PJ series, precision series.

Its diameter is $\varnothing 12$ mm. It has 5 stages, 5 length, and 20 models for your selection.

It is for DC, step or servo motor that the power is less than 1.5 W. The continuous output torque is 0.04-0.09 Nm.



Table 1: Features

| Stages | Length (mm / in.) | Efficiency (%) | Weight (g / oz) |
|--------|-------------------|----------------|-----------------|
| 1 | 15.1 / 0.59 | 90 | 7 / 0.19 |
| 2 | 17.9 / 0.70 | 81 | 10 / 0.26 |
| 3 | 20.7 / 0.81 | 73 | 13 / 0.34 |
| 4 | 23.5 / 0.93 | 65 | 16.5 / 0.44 |
| 5 | 26.3 / 1.04 | 59 | 20 / 0.53 |

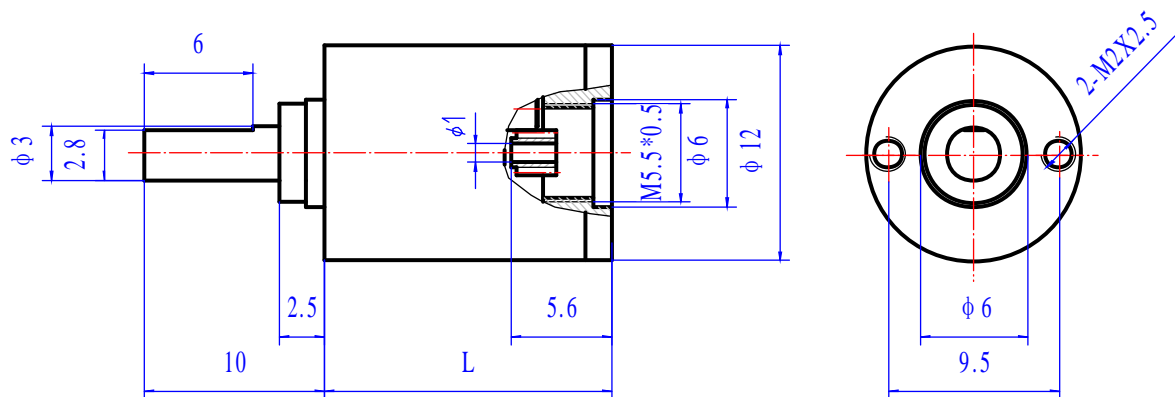


Table 2: Material and load

| Items | Description |
|-----------------------|--|
| Shell Material | Carbon steel |
| Gear Materiel | First stage plastic, rest steel, hard gear surface |
| Output Shaft Materiel | Carbon steel |
| Flange Materiel | Aluminum |
| Bearing on Output End | Sliding bearing |
| Max. Input Speed | 9,000 rpm |
| Max. Radial Load | 8 N |
| Max. Axial Load | 50 N |
| Max. Install Force | 20 N |
| Radial Clearance | 0.1 mm |
| Axial Clearance | 0.2 mm |
| Operating Temperature | -10 to 85 , (14, to 185°F) |

Table 3: Ratio and output torque

| Model # | Ratio | Output Torque (Nm) | | Stages |
|---------|---------|--------------------|--------------|--------|
| | | Continuous | Intermittent | |
| 1312002 | 3.94 | 0.04 | 0.09 | 1 |
| 1312004 | 5.7 | | | |
| 1312007 | 15.51 | 0.09 | 0.13 | 2 |
| 1312012 | 22.46 | | | |
| 1312014 | 32.49 | | | |
| 1312019 | 61.12 | 0.09 | 0.13 | 3 |
| 1312026 | 88.48 | | | |
| 1312032 | 128.01 | | | |
| 1312034 | 185.19 | | | |
| 1312042 | 240.83 | 0.09 | 0.13 | 4 |
| 1312052 | 348.63 | | | |
| 1312061 | 504.36 | | | |
| 1312067 | 729.66 | | | |
| 1312069 | 1055.6 | | | |
| 1312081 | 948.87 | 0.09 | 0.17 | 5 |
| 1312094 | 1373.6 | | | |
| 1312107 | 1987.19 | | | |
| 1312117 | 2874.86 | | | |
| 1312123 | 4159.06 | | | |
| 1312125 | 6016.92 | 0.09 | 0.13 | 5 |

For more information about our planetary gearboxes in PJ series, PH series and PM series, please visit our website www.broadwaygear.com. Thanks!