

Planetary Gearboxes PJ Series

# PJ36

This is a group of planetary gearbox or planetary gearhead of PJ series, precision series.

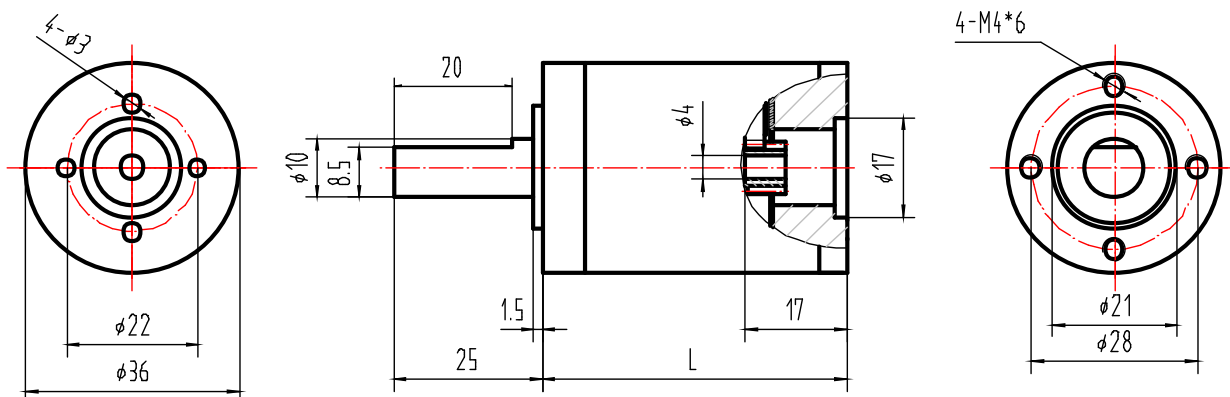
Its diameter is  $\varnothing 36$  mm. It has 5 stages, 5 lengths, and 125 models for your selection.

It is for DC, step or servo motor that the power is less than 100 W. The continuous output torque is 3.5-25 Nm.



Table 1: Features

Stages	Length (mm / in.)	Efficiency (%)	Backlash	Weight (g / oz)
1	37.6 / 1.48	90	0.5°	210 / 5.55
2	44.4 / 1.75	83	0.8°	245 / 6.48
3	51.2 / 2.02	77	1.0°	280 / 7.40
4	58.0 / 2.28	72	1.2°	315 / 8.33
5	64.8 / 2.55	67	1.2°	350 / 9.25



**Table 2: Material and load**

Items	Description
Shell Material	Stainless steel
Gear Materiel	Steel, hard gear surface
Output Shaft Materiel	Stainless steel
Flange Materiel	Stainless steel
Bearing on Output End	Rolling bearing
Max. Input Speed	5,500 rpm
Max. Radial Load	500 N
Max. Axial Load	100 N
Max. Install Force	220 N
Radial Clearance	0.01 mm
Axial Clearance	0.01 mm
Operating Temperature	-50 to 185 , (-58, to 365°F)

You have more option for connection ways between motor and gearbox: flexible coupling, rigid coupling, or direct connector.

**Table 3: Ratio and output torque**

Model #	Ratio	Output Torque (Nm)		Stages
		Continuous	Intermittent	
1136001	3.5	3.5	5.8	1
1136002	4			
1136003	4.75			
<a href="#">1136004</a>	<a href="#">6</a>			
1136005	12.25	9	14	2
1136006	14			
1136007	16			
1136008	16.63			
1136009	19			
1136010	21	9	14	2
1136011	22.56			
1136012	24			
1136013	28.5			
<a href="#">1136014</a>	<a href="#">36</a>	7	9.2	
1136015	42.88	25	30	3
1136016	49			
1136017	56			
1136018	58.19			
1136019	64			

(Continued from Table 3: Ratio and output torque)

Model #	Ratio	Output Torque (Nm)		Stages
		Continuous	Intermittent	
1136020	66.5	25	30	3
1136021	73.5			
1136022	76			
1136023	78.97			
1136024	84			
1136025	90.25	25	30	3
1136026	96			
1136027	99.75			
1136028	107.17	12	14	
1136029	114	25	30	
1136030	126	12	14	3
1136031	135.38			
1136032	144			
1136033	171			
1136034	216			
1136035	150.06	25	30	4
1136036	171.5			
1136037	196			
1136038	203.66			
1136039	224			
1136040	232.75	25	30	4
1136041	256			
1136042	257.25			
1136043	266			
1136044	276.39			
1136045	294	25	30	4
1136046	304			
1136047	315.88			
1136048	336			
1136049	349.13			
1136050	361	25	30	4
1136051	375.1			
1136052	384			
1136053	399			
1136054	428.69			
1136055	441	25	30	4
1136056	456			
1136057	473.81			
1136058	504			
1136059	509.07			

(Continued from Table 3: Ratio and output torque)

Model #	Ratio	Output Torque (Nm)		Stages
		Continuous	Intermittent	
1136060	541	25	35	4
1136061	576			
1136062	598			
1136063	643	12	14	
1136064	684	25	35	4
1136065	756	12	14	
1136066	812			
1136067	864			
1136068	1026			
1136069	1296	9	12	
1136070	525	25	35	5
1136071	600			
1136072	686			
1136073	712			
1136074	784			
1136075	814	25	35	5
1136076	896			
1136077	900			
1136078	931			
1136079	967			
1136080	1024	25	35	5
1136081	1029			
1136082	1064			
1136083	1105			
1136084	1176			
1136085	1216	25	35	5
1136086	1221			
1136087	1263			
1136088	1312			
1136089	1344			
1136090	1396	25	35	5
1136091	1444			
1136092	1500			
1136093	1536			
1136094	1543	25	35	5
1136095	1596			
1136096	1658			
1136097	1714			
1136098	1764			
1136099	1781			

(Continued from Table 3: Ratio and output torque)

Model #	Ratio	Output Torque (Nm)		Stages
		Continuous	Intermittent	
1136100	1824	25	35	5
1136101	1895			
1136102	2016			
1136103	2036			
1136104	2094	25	35	5
1136105	2166			
1136106	2250			
1136107	2304			
1136108	2394	12	14	5
1136109	2418			
1136110	2572	25	35	5
1136111	2646			
1136112	2736			
1136113	2842			
1136114	3024			
1136115	3054	12	14	5
1136116	3249	25	35	
1136117	3456			
1136118	3591			
1136119	3858	12	14	5
1136120	4104	25	35	
1136121	4536	12	14	
1136122	4873			
1136123	5184	18	23	
1136124	6156	12	14	
1136125	7776	9	12	5

The output shaft length of motor in blue model number depends on the diameter of the output shaft. Please notice us when you put purchase order.

For more information about our planetary gearboxes in PJ series, PH series and PM series, please visit our website [www.broadwaygear.com](http://www.broadwaygear.com). Thanks!