

Planetary Gearboxes PJ Series

PJ28

This is a group of planetary gearbox or planetary gearhead of PJ series, precision series.

Its diameter is $\varnothing 28$ mm. It has 5 stages, 5 lengths, and 125 models for your selection.

It is for DC, step or servo motor that the power is less than 20 W. The continuous output torque is 0.6-4.6 Nm.



Table 1: Features

Stages	Length (mm / in.)	Efficiency (%)	Backlash	Weight (g / oz)
1	23.2 / 0.91	90	0.8°	50 / 1.32
2	27.7 / 1.09	81	1.2°	65 / 1.72
3	32.2 / 1.27	73	1.5°	85 / 2.25
4	36.7 / 1.44	65	1.8°	95 / 2.51
5	41.2 / 1.62	60	1.8°	110 / 2.91

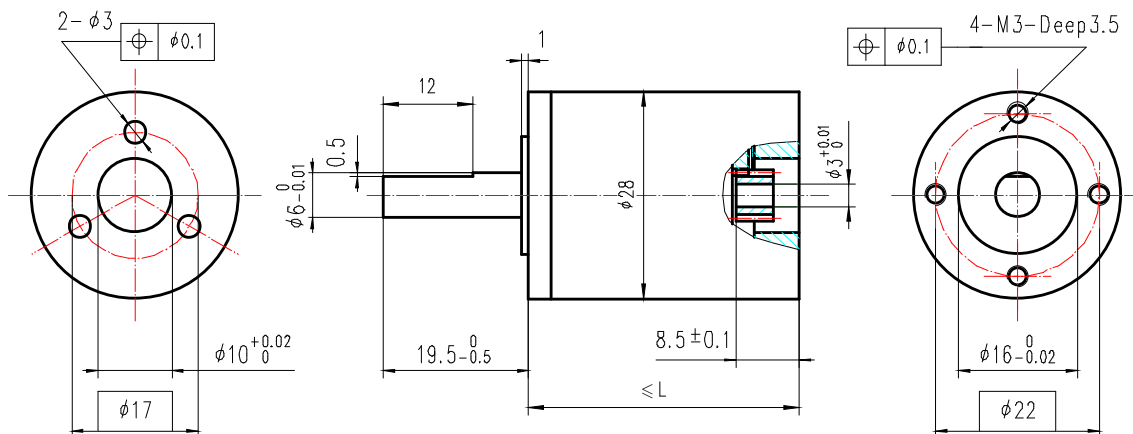


Table 2: Material and load

Items	Description
Shell Material	Stainless steel
Gear Materiel	Steel, hard gear surface
Output Shaft Materiel	Stainless steel
Flange Materiel	Stainless steel
Bearing on Output End	Rolling bearing
Max. Input Speed	6,000 rpm
Max. Radial Load	20 N
Max. Axial Load	20 N
Max. Install Force	100 N
Radial Clearance	0.01 mm
Axial Clearance	0.01 mm
Operating Temperature	-50 to 185 , (-58, to 365°F)

*-- Optional of plastic or steel gear for first stage

Table 3: Ratio and output torque

Model #	Ratio	Output Torque (Nm)		Stages
		Continuous	Intermittent	
1128001	3.57	0.6	0.9	1
1128002	4.00			
1128003	4.60			
1128004	5.50			
1128005	12.75	2.3	3.4	2
1128006	14.28			
1128007	16.00			
1128008	16.42			
1128009	18.40			
1128010	19.64	2.3	3.4	2
1128011	21.16			
1128012	22.00			
1128013	25.30			
1128014	30.25			
1128015	45.52	3.5	4.6	3
1128016	50.98			
1128017	57.12			
1128018	58.63			
1128019	64.00			

(Continued from Table 3: Ratio and output torque)

Model #	Ratio	Output Torque (Nm)		Stages
		Continuous	Intermittent	
1128020	65.69	3.5	4.6	3
1128021	70.10			
1128022	73.60			
1128023	75.54			
1128024	78.54			
1128025	84.64	3.5	4.6	3
1128026	88.00			
1128027	90.32			
1128028	97.34			
1128029	101.20			
1128030	107.99	3.5	4.6	3
1128031	116.38			
1128032	121.00			
1128033	139.15			
1128034	166.38	2.3	3.5	
1128035	162.50	4.6	5.8	4
1128036	182.00			
1128037	203.92			
1128038	209.30			
1128039	228.48			
1128040	234.51	4.6	5.8	4
1128041	250.25			
1128042	256.00			
1128043	262.75			
1128044	269.68			
1128045	280.39	4.6	5.8	4
1128046	294.40			
1128047	302.16			
1128048	314.16			
1128049	322.45			
1128050	338.56	4.6	5.8	4
1128051	347.49			
1128052	352.00			
1128053	361.28			
1128054	385.53			
1128055	389.34	4.6	5.8	4
1128056	404.80			
1128057	415.48			
1128058	431.97			
1128059	447.75			

(Continued from Table 3: Ratio and output torque)

Model #	Ratio	Output Torque (Nm)		Stages
		Continuous	Intermittent	
1128060	465.52	4.6	5.8	4
1128061	484.00			
1128062	496.77			
1128063	535.35			
1128064	556.60			
1128065	593.96	4.6	5.8	4
1128066	640.09			
1128067	665.50			
1128068	765.33			
1128069	915.06	3.5	4.6	4
		2.3	3.5	
1128070	580.12	4.6	5.8	5
1128071	649.73			
1128072	727.99			
1128073	747.19			
1128074	815.67			
1128075	837.19	4.6	5.8	5
1128076	893.38			
1128077	913.92			
1128078	938.02			
1128079	962.77			
1128080	1000.98	4.6	5.8	5
1128081	1024.00			
1128082	1051.01			
1128083	1078.73			
1128084	1121.55			
1128085	1151.13	4.6	5.8	5
1128086	1177.60			
1128087	1208.66			
1128088	1240.54			
1128089	1256.64			
1128090	1289.78	4.6	5.8	5
1128091	1354.24			
1128092	1376.35			
1128093	1389.96			
1128094	1408.00			
1128095	1445.14	4.6	5.8	5
1128096	1483.25			
1128097	1542.13			
1128098	1557.38			
1128099	1598.45			

(Continued from Table 3: Ratio and output torque)

Model #	Ratio	Output Torque (Nm)		Stages
		Continuous	Intermittent	
1128100	1619.20	4.6	5.8	5
1128101	1661.91			
1128102	1727.88			
1128103	1773.45			
1128104	1790.98			
1128105	1862.08	4.6	5.8	5
1128106	1911.19			
1128107	1936.00			
1128108	1987.06			
1128109	2059.63			
1128110	2120.43	4.6	5.8	5
1128111	2141.39			
1128112	2226.40			
1128113	2285.12			
1128114	2375.84			
1128115	2462.60	4.6	5.8	5
1128116	2560.36			
1128117	2662.00			
1128118	2732.21			
1128119	2944.41			
1128120	3061.30	4.6	5.8	5
1128121	3266.77			
1128122	3520.50			
1128123	3660.25			
1128124	4209.29	3.5	4.6	5
1128125	5032.84	2.3	3.5	

For more information about our planetary gearboxes in PJ series, PH series and PM series, please visit our website www.broadwaygear.com. Thanks!