

Planetary Gearboxes PJ Series

PJ22

This is a group of planetary gearbox or planetary gearhead of PJ series, precision series.

Its diameter is $\varnothing 22$ mm. It has 5 stages, 5 lengths, and 20 models for your selection.

It is for DC, step or servo motor that the power is less than 20 W. The continuous output torque is 0.58-1.2 Nm.



Table 1: Features

| Stages | Length (mm / in.) | Efficiency (%) | Backlash | Weight (g / oz) |
|--------|-------------------|----------------|----------|-----------------|
| 1 | 20.3 / 0.80 | 90 | 0.8° | 35 / 0.93 |
| 2 | 24.1 / 0.95 | 81 | 1.2° | 43 / 1.14 |
| 3 | 27.8 / 1.09 | 73 | 1.5° | 51 / 1.35 |
| 4 | 31.7 / 1.25 | 65 | 1.8° | 59 / 1.56 |
| 5 | 35.5 / 1.40 | 59 | 1.8° | 67 / 1.77 |

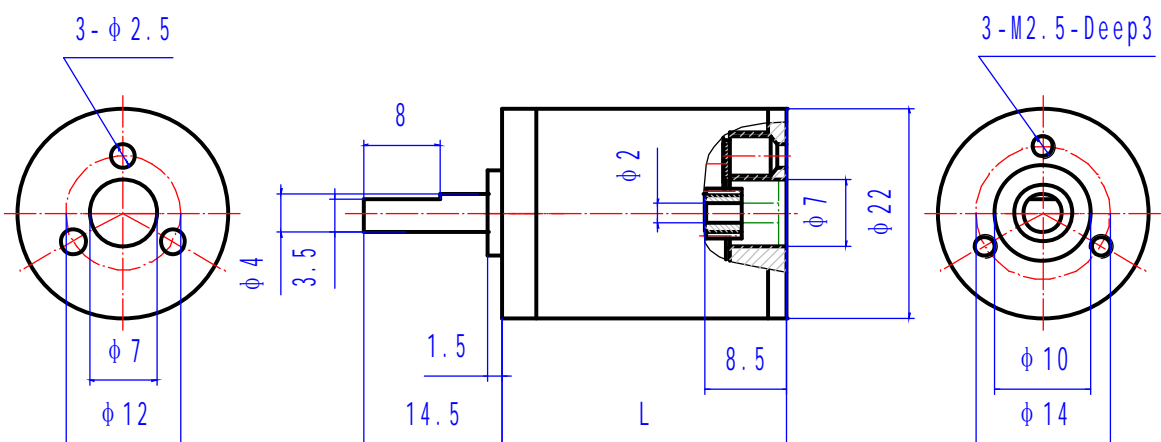


Table 2: Material and load

| Items | Description |
|-----------------------|------------------------------|
| Shell Material | Stainless steel |
| Gear Materiel | Steel, hard gear surface |
| Output Shaft Materiel | Stainless steel |
| Flange Materiel | Stainless steel |
| Bearing on Output End | Rolling bearing |
| Max. Input Speed | 6,000 rpm |
| Max. Radial Load | 10 N |
| Max. Axial Load | 10 N |
| Max. Install Force | 100 N |
| Radial Clearance | 0.01 mm |
| Axial Clearance | 0.01 mm |
| Operating Temperature | -50 to 185 , (-58, to 365°F) |

*-- Optional of plastic or steel gear for first stage

Table 3: Ratio and output torque

| Model # | Ratio | Output Torque (Nm) | | Stages |
|---------|---------|--------------------|--------------|--------|
| | | Continuous | Intermittent | |
| 1122001 | 3.57 | 0.58 | 0.92 | 1 |
| 1122003 | 4.60 | | | |
| 1122005 | 12.75 | | | |
| 1122008 | 16.42 | 0.58 | 1.2 | 2 |
| 1122011 | 21.16 | | | |
| 1122015 | 45.52 | | | |
| 1122018 | 58.63 | 1.2 | 1.84 | 3 |
| 1122023 | 75.54 | | | |
| 1122028 | 97.34 | | | |
| 1122035 | 162.5 | 1.2 | 1.84 | 4 |
| 1122038 | 209.3 | | | |
| 1122044 | 269.68 | | | |
| 1122051 | 347.49 | 1.2 | 1.84 | 5 |
| 1122059 | 447.75 | | | |
| 1122070 | 580.12 | | | |
| 1122073 | 747.19 | 1.2 | 1.84 | 5 |
| 1122079 | 962.77 | | | |
| 1122088 | 1240.54 | | | |
| 1122099 | 1598.45 | 1.2 | 1.84 | 5 |
| 1122109 | 2059.63 | | | |

For more information about our planetary gearboxes in PJ series, PH series and PM series, please visit our website www.broadwaygear.com. Thanks!