

Planetary Gearboxes PJ Series

PJ16

This is a group of planetary gearbox or planetary gearhead of PJ series, precision series.

Its diameter is $\varnothing 16$ mm. It has 5 stages, 5 length, and 80 models for your selection.

It is for DC, step or servo motor that the power is less than 4.5 W. The continuous output torque is 0.17-0.4 Nm.



Table 1: Features

Stages	Length (mm / in.)	Efficiency (%)	Backlash	Weight (g / oz)
1	14.8 / 0.58	90	2.5°	15 / 0.40
2	18.4 / 0.72	81	2.5°	20 / 0.53
3	22.0 / 0.87	73	3°	25 / 0.66
4	25.6 / 1.01	65	3°	30 / 0.79
5	29.2 / 1.15	59	3°	35 / 0.93

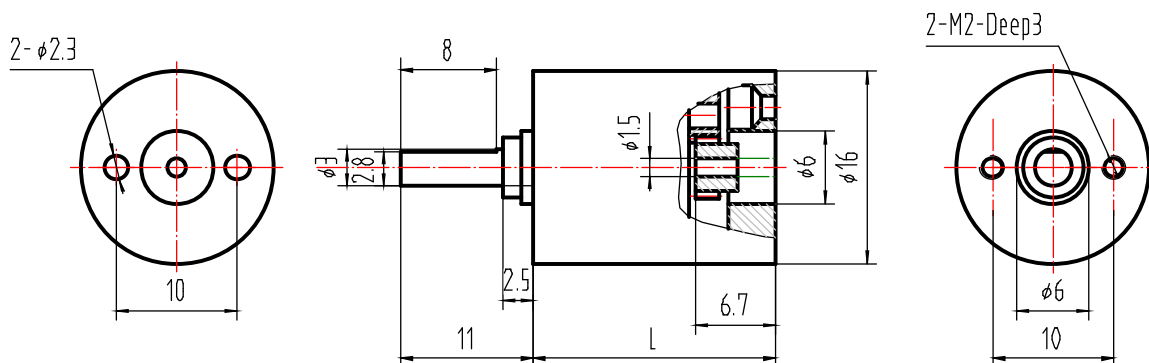


Table 2: Material and load

Items	Description
Shell Material	Stainless steel
Gear Materiel	Steel, hard gear surface
Output Shaft Materiel	Stainless steel
Flange Materiel	Stainless steel
Bearing on Output End	Rolling bearing
Max. Input Speed	6,000 rpm
Max. Radial Load	8 N
Max. Axial Load	8 N
Max. Install Force	100 N
Radial Clearance	0.01 mm
Axial Clearance	0.01 mm
Operating Temperature	-50 to 185 , (-58, to 365°F)

*-- Optional of plastic or steel gear for first stage

Table 3: Ratio and output torque

Model #	Ratio	Output Torque (Nm)		Stages
		Continuous	Intermittent	
1116001	3.79	0.17	0.23	1
1116002	4.31			
1116003	5.08			
1116004	14.36	0.23	0.26	2
1116005	16.34			
1116006	18.59			
1116007	19.24	0.23	0.26	2
1116008	21.88			
1116009	25.79	0.29	0.4	3
1116010	54.43			
1116011	61.95			
1116012	70.44			
1116013	72.93			
1116014	80.11			
1116015	82.93	0.23	0.35	3
1116016	94.31			
1116017	97.75			
1116018	111.16			
1116019	131.02			

(Continued from Table 3: Ratio and output torque)

Model #	Ratio	Output Torque (Nm)		Stages
		Continuous	Intermittent	
1116020	206.3	0.35	0.46	4
1116021	234.77			
1116022	266.98			
1116023	276.39			
1116024	303.61			
1116025	314.31	0.35	0.46	4
1116026	345.27			
1116027	357.43			
1116028	370.46			
1116029	406.47			
1116030	421.29	0.35	0.46	4
1116031	479.09			
1116032	496.55			
1116033	564.68			
1116034	665.57	0.29	0.4	
1116035	781.87	0.4	0.5	5
1116036	889.79			
1116037	1011.87			
1116038	1047.51			
1216039-J	1150.7	0.4	0.5	5
1216040-J	1191.23			
1216041-J	1308.58			
1216042-J	1354.67			
1216043-J	1404.05			
1216044-J	1488.12	0.4	0.5	5
1216045-J	1540.54			
1216046-J	1596.69			
1216047-J	1751.9			
1216048-J	1815.76			
1216049-J	1881.94	0.4	0.5	5
1216050-J	2064.89			
1216051-J	2140.15			
1216052-J	2433.79			
1216053-J	2522.5			
1216054-J	2868.59	0.29	0.4	5
1216055-J	3381.08			

(Continued from Table 3: Ratio and output torque)

Model #	Ratio	Output Torque (Nm)		Stages
		Continuous	Intermittent	
1216056-J	2963.295	0.46	0.58	6
1216058-J	3834.981			
1216060-J	4361.153			
1216061-J	4514.76			
1216063-J	5134.2			
1216064-J	5321.342	0.46	0.58	6
1216065-J	5639.978			
1216066-J	5838.628			
1216067-J	6051.446			
1216068-J	6413.801			
1216069-J	6639.706	0.46	0.58	6
1216070-J	6881.724			
1216071-J	7132.563			
1216072-J	7550.695			
1216073-J	7825.918			
1216074-J	8111.174	0.46	0.58	6
1216075-J	8899.659			
1216076-J	9224.052			
1216077-J	9560.27			
1216078-J	10489.62			
1216079-J	10871.97	0.46	0.58	6
1216080-J	12363.64			
1216081-J	12814.29			
1216082-J	14572.45			
1216083-J	17175.89			
		0.29	0.4	

For more information about our planetary gearboxes in PJ series, PH series and PM series, please visit our website www.broadwaygear.com. Thanks!