

Planetary Gearboxes PJ Series

# PJ8

This is a group of planetary gearbox or planetary gearhead of PJ series, precision series.

Its diameter is  $\varnothing 8$  mm. It has 5 stages, 5 length, and 5 models for your selection.

It is for DC, step or servo motor that the power is less than 0.5 W. The continuous output torque is 0.002-0.03 Nm.

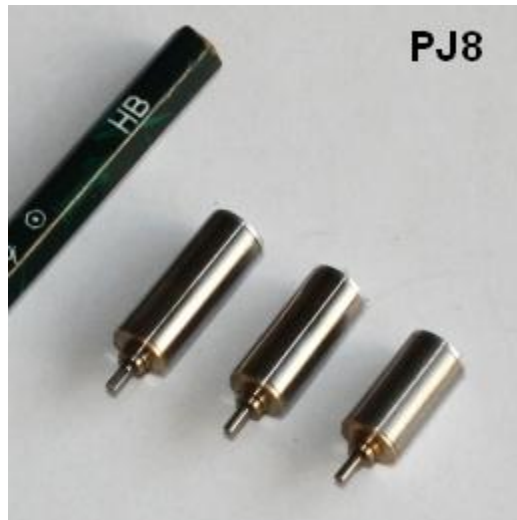


Table 1: Features

Stages	Length (mm / in.)	Efficiency (%)	Backlash	Weight (g / oz)
1	10.0 / 0.39	90	3°	2 / 0.05
2	12.6 / 0.50	83	3°	3 / 0.08
3	15.2 / 0.60	69	3°	4 / 0.11
4	17.8 / 0.70	64	3°	5 / 0.13
5	20.4 / 0.80	60	3°	6 / 0.16

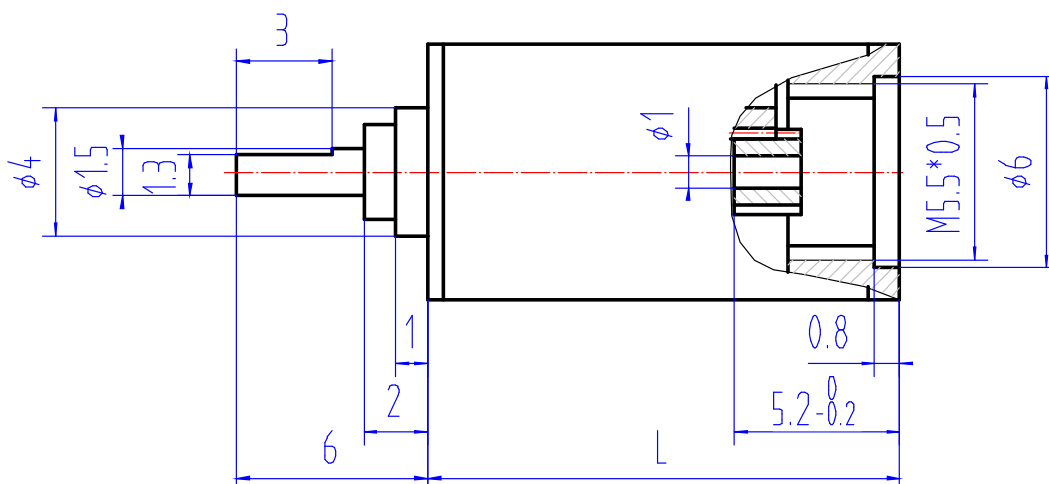


Table 2: Material and load

Items	Description
Shell Material	Stainless steel
Gear Materiel	Steel, hard gear surface
Output Shaft Materiel	Alloy
Flange Materiel	Aluminum
Bearing on Output End	Rolling bearing
Max. Input Speed	15,000 rpm
Max. Radial Load	5 N
Max. Axial Load	5 N
Max. Install Force	20 N
Radial Clearance	0.01 mm
Axial Clearance	0.01 mm
Operating Temperature	-50 to 185 , (-58, to 365°F)

\*-- Optional of plastic or steel gear for first stage

Table 3: Ratio and output torque

Model #	Ratio	Output Torque (Nm)		Stages
		Continuous	Intermittent	
1110003	4	0.002	0.005	1
1110008	16	0.005	0.01	2
1110014	64	0.01	0.02	3
1110027	256	0.03	0.06	4
1110042	1024	0.03	0.08	5

For more information about our planetary gearboxes in PJ series, PH series and PM series, please visit our website [www.broadwaygear.com](http://www.broadwaygear.com). Thanks!