

Planetary Gearboxes PH Series

PH60

This is a group of planetary gearboxes or planetary gearhead of PH series, commercial series 2.

Its diameter is $\varnothing 60$ mm. It has 5 stages, 5 length, and 125 models for your selection.

It is for DC, step or servo motor that the power is 100 – 200 W. The continuous output torque is 4-35 Nm.



Table 1: Features

Stages	Length (mm / in.)		Efficiency (%)	Backlash	Weights (g / oz)
	All steel gears	First stage plastic gears			
1	44.0 / 1.73	43.4 / 1.71	90	0.3°	625 / 16.52
2	52.5 / 2.07	55.9 / 2.20	80	0.6°	750 / 19.82
3	61.0 / 2.40	68.4 / 2.69	73	0.9°	875 / 23.13
4	69.5 / 2.74	76.9 / 3.03	66	1.2°	950 / 25.11
5	78.0 / 3.07	85.4 / 3.36	59	1.2°	1125 / 29.74

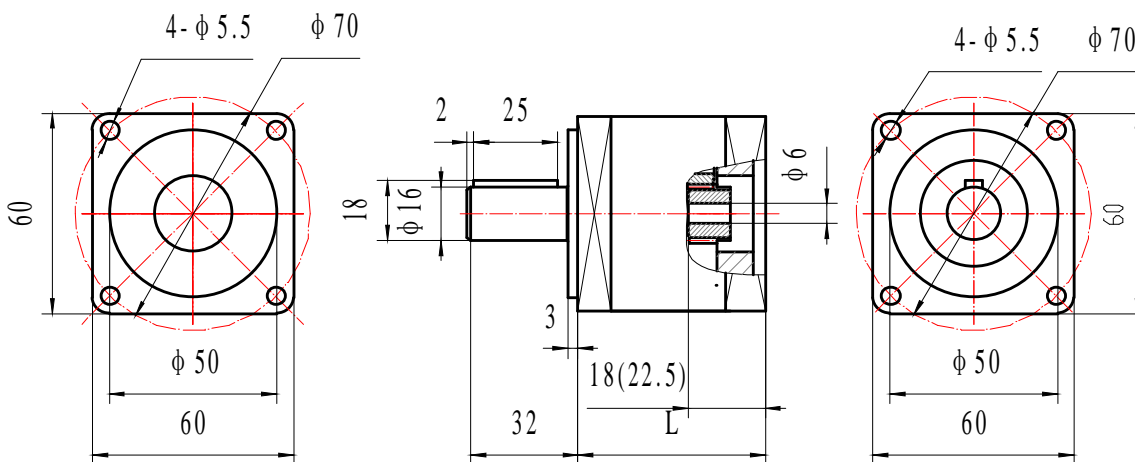


Table 2: Material and load

Items	Description
Shell Material	Stainless steel
Gear Materiel	Steel, hard gear surface*
Output Shaft Materiel	Stainless steel
Flange Materiel	Aluminum
Bearing on Output End	Rolling bearing
Max. Input Speed	3,500 rpm
Max. Radial Load	1000 N
Max. Axial Load	500 N
Max. Install Force	1200 N
Radial Clearance	0.02 mm
Axial Clearance	0.01 mm
Operating Temperature	-40 to 125 °C, (-40, to 257°F) -10 to 85 °C, (-14 to 185°F) for plastic gears

*-- Optional of plastic or steel gear for first stage

Table 3: Ratio and output torque

Model #	Ratio	Output Torque (Nm)		Stages
		Continuous	Intermittent	
1252002	3.56	4	6	1
1252003	4.00			
1252004	5.60			
1252005	6.75			
1252009	12.64	15	22.5	2
1252010	14.22			
1252011	16.00			
1252013	19.91			
1252015	22.40			
1252016	24.00	15	22.5	2
1252017	27.00			
1252018	31.36			
1252019	37.80			
1252020	45.56	10	12	
1252026	44.95	35	45	3
1252028	50.57			
1252030	56.89			
1252032	64.00			
1252035	70.80			
1252037	79.64	35	45	3
1252039	85.33			
1252040	89.60			

(Continued from Table 3: Ratio and output torque)

Model #	Ratio	Output Torque (Nm)		Stages
		Continuous	Intermittent	
1252041	96.00	35	45	3
1252043	108.00			
1252044	111.50	35	45	3
1252046	125.44			
1252047	134.40			
1252049	151.20			
1252050	162.00			
1252051	175.62	35	45	3
1252052	182.25			
1252053	211.68			
1252054	255.15			
1252055	307.55	10	12	
1252064	159.82	35	45	4
1252067	179.80			
1252071	202.27			
1252074	227.56			
1252077	251.72			
1252078	256.00	35	45	4
1252082	283.18			
1252085	303.41			
1252086	318.58			
1252088	341.33			
1252090	358.40	35	45	4
1252092	384.00			
1252094	396.45			
1252096	432.00			
1252098	446.01			
1252100	477.87	35	45	4
1252102	501.76			
1252103	537.60			
1252106	576.00			
1252107	604.80			
1252108	624.41	35	45	4
1252109	648.00			
1252111	702.46			
1252112	729.00			
1252113	752.64			
1252115	846.72	35	45	4
1252116	907.20			

(Continued from Table 3: Ratio and output torque)

Model #	Ratio	Output Torque (Nm)		Stages
		Continuous	Intermittent	
1252118	983.45	35	45	4
1252119	1020.60			
1252120	1093.50			
1252121	1185.41			
1252122	1230.19			
1252123	1428.84	35	45	4
1252124	1722.26			
1252125	2075.94	10	12	
1252138	568.25	35	45	5
1252143	639.28			
1252148	719.19			
1252153	809.09			
1252157	894.99			
1252158	910.22	35	45	5
1252163	1006.86			
1252164	1024.00			
1252168	1078.78			
1252171	1132.72			
1252174	1213.63	35	45	5
1252176	1274.31			
1252180	1365.33	30	45	
1252182	1409.61			
1252183	1433.60			
1252186	1536.00	30	45	5
1252189	1585.81			
1252192	1699.08			
1252193	1728.00			
1252196	1784.04			
1252198	1911.47	30	45	5
1252201	2007.04			
1252203	2048.00			
1252204	2150.40			
1252206	2220.13			
1252208	2304.00	30	45	5
1252210	2419.20			
1252212	2497.65			
1252213	2592.00			
1252215	2676.05			

(Continued from Table 3: Ratio and output torque)

Model #	Ratio	Output Torque (Nm)		Stages
		Continuous	Intermittent	
1252217	2809.86	30	45	5
1252218	2916.00			
1252220	3010.56			
1252223	3225.60			
1252225	3386.88			
1252226	3496.71	30	45	5
1252227	3628.80			
1252230	3888.00			
1252231	3933.80			
1252232	4082.40			
1252233	4214.78	30	45	5
1252234	4374.00			
1252236	4741.63			
1252237	4920.75			
1252238	5080.32			
1252240	5507.32	30	45	5
1252241	5715.36			
1252242	6123.60			
1252244	6638.28			
1252245	6889.05			
1252246	7381.13	30	45	5

For more information about our planetary gearboxes in PJ series, PH series and PM series, please visit our website www.broadwaygear.com. Thanks!