

Planetary Gearboxes PH Series

PH32

This is a group of planetary gearboxes or planetary gearhead of PH series, commercial series 2.

Its diameter is $\varnothing 32$ mm. It has 5 stages, 5 lengths, and 135 models for your selection.

It is for DC, step or servo motor that the power is less than 40W. The continuous output torque is 1-6 Nm.



Table 1: Features

Stages	Length (mm / in.)		Efficiency (%)	Backlash	Weight (g / oz)
	All steel gear	First stage plastic gear			
1	30.9 / 1.22	32.6 / 1.28	90	1.0°	125 / 3.30
2	37.2 / 1.46	38.9 / 1.53	81	1.2°	147 / 3.89
3	43.5 / 1.71	45.2 / 1.78	73	1.5°	169 / 4.47
4	49.8 / 1.96	51.5 / 2.03	65	1.5°	191 / 5.05
5	56.1 / 2.21	57.8 / 2.28	59	1.5°	213 / 5.63

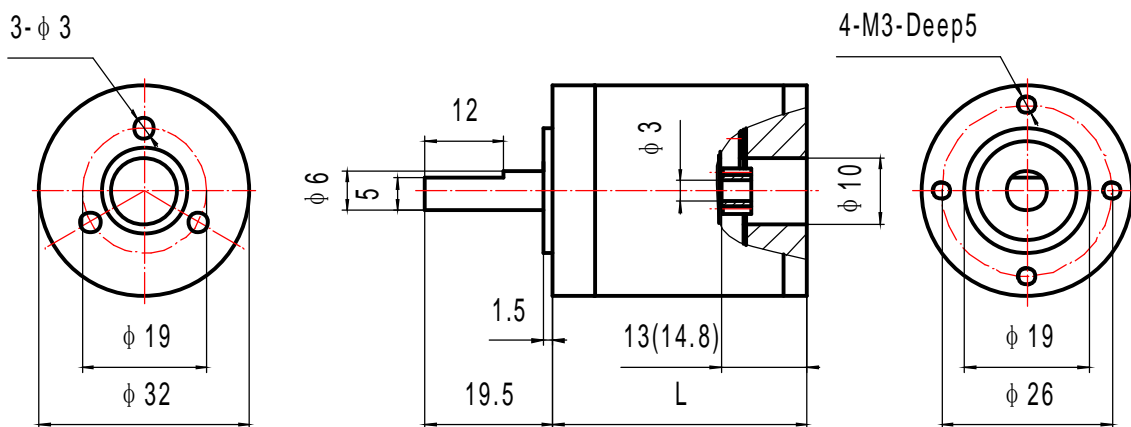


Table 2: Material and load

Items	Description
Shell Material	Stainless steel
Gear Material	Steel, hard gear surface*
Output Shaft Material	Stainless steel
Flange Material	Aluminum
Bearing on Output End	Rolling bearing
Max. Input Speed	6,000 rpm
Max. Radial Load	50N
Max. Axial Load	50N
Max. Install Force	100N
Radial Clearance	0.03mm
Axial Clearance	0.03mm
Operating Temperature	-40 to 125 °C, (-40 to 257°F) -10 to 85 °C, (-14 to 185°F) for plastic gears

*-- Optional of plastic or steel gear for first stage

Table 3: Ratio and output torque

Model #	Ratio	Output Torque (Nm)		Stages
		Continuous	Intermittent	
1232001	3.11	1	1.25	1
1232002	3.71			
1232003	4.8			
1232004	5.75			
1232006	9.68	3	3.75	2
1232007	11.56			
1232009	14.93			
1232010	17.83			
1232011	17.89	3	3.75	2
1232012	21.36			
1232014	23.04			
1232016	27.6			
1232017	33.06	6	7.5	3
1232021	30.11			
1232022	35.95			
1232023	42.92			
1232025	51.24	6	7.5	3
1232026	55.47			
1232027	55.65			
1232028	66.22			
1232029	66.44			
1232031	71.68			

(Continued from Table 3: Ratio and output torque)

Model #	Ratio	Output Torque (Nm)		Stages
		Continuous	Intermittent	
1232032	79.33	6	7.5	3
1232034	85.58			
1232035	85.87			
1232037	102.51			
1232038	102.86			
1232040	110.59	6	7.5	5
1232041	122.8			
1232044	132.48			
1232046	158.7			
1232049	190.11	4	5	
1232056	93.68	6	7.5	4
1232057	111.85			
1232058	133.53			
1232059	144.54			
1232060	159.42			
1232061	172.56	6	7.5	4
1232062	173.15			
1232063	190.33			
1232064	206.02			
1232065	206.72			
1232067	223	6	7.5	4
1232068	245.96			
1232069	246.79			
1232071	266.24			
1232072	267.14			
1232073	294.64	6	7.5	4
1232075	317.86			
1232076	318.93			
1232077	320.01			
1232079	344.06			
1232081	380.77	6	7.5	4
1232082	382.06			
1232085	410.77			
1232086	412.16			
1232087	456.13			
1232090	492.07	6	7.5	4
1232091	493.73			
1232094	530.84			
1232096	589.46			
1232097	591.45			

(Continued from Table 3: Ratio and output torque)

Model #	Ratio	Output Torque (Nm)		Stages
		Continuous	Intermittent	
1232101	635.9	6	7.5	4
1232102	706.12			
1232106	761.76			
1232110	912.53			
1232114	1093.13	4	5	
1232126	291.46	6	7.5	5
1232127	347.97			
1232128	415.43			
1232129	449.68			
1232130	495.97			
1232131	536.86	6	7.5	5
1232132	538.68			
1232133	592.13			
1232134	640.95			
1232135	643.12			
1232137	693.79	6	7.5	5
1232138	706.93			
1232139	765.21			
1232140	767.8			
1232142	828.3			
1232143	831.1	6	7.5	5
1232144	913.57			
1232145	916.66			
1232147	988.89			
1232148	992.24			
1232149	995.59	6	7.5	5
1232151	1070.42			
1232152	1094.38			
1232154	1180.62			
1232155	1184.61			
1232156	1188.62	6	7.5	5
1232159	1277.95			
1232160	1282.28			
1232162	1414.28			
1232163	1419.06			
1232166	1525.72	6	7.5	5
1232167	1530.88			
1232168	1536.06			
1232171	1651.51			
1232172	1694.19			

(Continued from Table 3: Ratio and output torque)

Model #	Ratio	Output Torque (Nm)		Stages
		Continuous	Intermittent	
1232175	1827.68	6	7.5	5
1232176	1833.87			
1232177	1840.07			
1232181	1971.7			
1232182	1978.37			
1232184	2189.41	6	7.5	5
1232185	2196.82			
1232190	2361.93			
1232191	2369.92			
1232194	2548.04			
1232195	2622.73	6	7.5	5
1232199	2829.39			
1232200	2838.97			
1232205	3052.34			
1232207	3389.38			
1232208	3400.85	6	7.5	5
1232213	3656.45			
1232217	4060.19			
1232221	4380.12			
1232227	5247.02			
1232234	6285.49	4	5	5

For more information about our planetary gearboxes in PJ series, PH series and PM series, please visit our website www.broadwaygear.com. Thanks!