

Planetary Gearboxes PH Series

PH12

This is a group of planetary gearboxes or planetary gearhead of PH series, commercial series 2.

The diameter is $\varnothing 12$ mm. It has 5 stages, 5 length, and 19 models for your selection.

It is for DC, step or servo motor that the power is less than 2.5W. The continuous output torque is 0.2-0.35 Nm.



Table 1: Features

Stages	Length (mm / in.)	Efficiency (%)	Backlash	Weight (g / oz)
1	15.1 / 0.59	90	3°	7 / 0.19
2	17.9 / 0.70	81	3°	10 / 0.26
3	20.7 / 0.81	73	3°	13 / 0.34
4	23.5 / 0.93	65	3°	17 / 0.44
5	26.3 / 1.04	59	3°	20 / 0.53

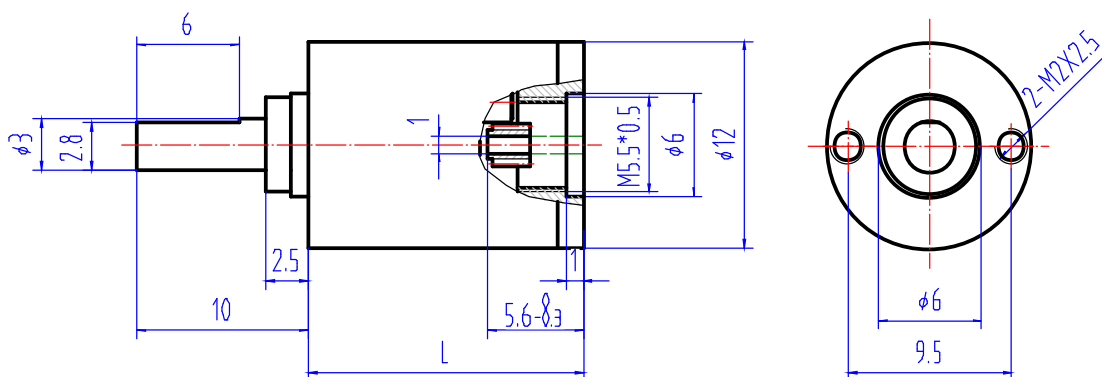


Table 2: Material and load

Items	Description
Shell Material	Stainless steel
Gear Materiel	Steel, hard gear surface
Output Shaft Materiel	Stainless steel
Flange Materiel	Aluminum
Bearing on Output End	Sliding bearing
Max. Input Speed	9,000 rpm
Max. Radial Load	5N
Max. Axial Load	5N
Max. Install Force	20N
Radial Clearance	0.1mm
Axial Clearance	0.2mm
Operating Temperature	-40,to 125 , (-40, to 257°F)

Table 3: Ratio and output torque

Model #	Ratio	Output Torque (Nm)		Stages
		Continuous	Intermittent	
1212002	3.94	0.2	0.3	1
1212004	5.70			
1212007	15.51	0.2	0.3	2
1212012	22.46			
1212014	32.49			
1212019	61.12	0.3	0.45	3
1212026	88.48			
1212032	128.01			
1212034	185.19			
1212042	240.83	0.3	0.45	4
1212052	348.63			
1212061	504.36			
1212067	729.66			
1212069	1055.6			
1212081	948.87	0.35	0.5	5
1212094	1373.6			
1212107	1987.19			
1212117	2874.86			
1212123	4159.06			

For more information about our planetary gearboxes in PJ series, PH series and PM series, please visit our website www.broadwaygear.com. Thanks!